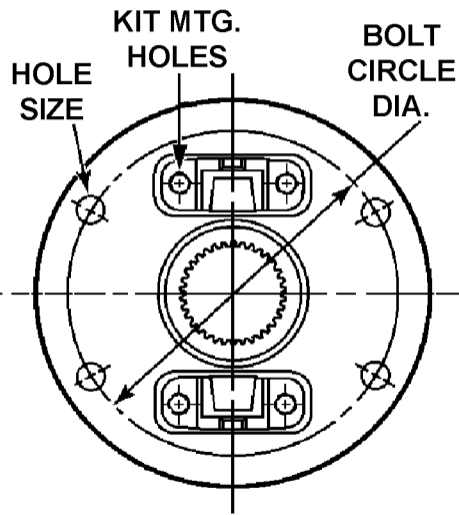


STYLE 1



STYLE 2