

Service Part Numbers for MFS-66 Knuckles

Date: March 2021

Subject: Service Part Numbers for MFS-66 Knuckles

Models: MFS-66-122, MFS-66-124, T-MFS-66-122 & T-MFS-66-124

Product Information Letter #21-001

Please be advised of the following updated service part numbers for knuckles to suit the MFS-66 series Non Drive Front Steer Axles:

Knuckle Part Number	Description	ABS Sensor Bushing	To suit
A2-3111L4666	Service Knuckle LHS	Included	Q-Plus Drum Brakes
A2-3111R4724	Service Knuckle RHS	Included	Q-Plus Drum Brakes
A2-3111K4613	Service Knuckle LHS	Included	EX225 Air Disc Brakes
A3-3111E4633	Service Knuckle RHS	Included	EX225 Air Disc Brakes

These service part numbers include the ABS sensor bushing, part number 1225S1189, installed to a standout dimension of 18mm in line with current production (Refer dimension "X" in Figure 1).

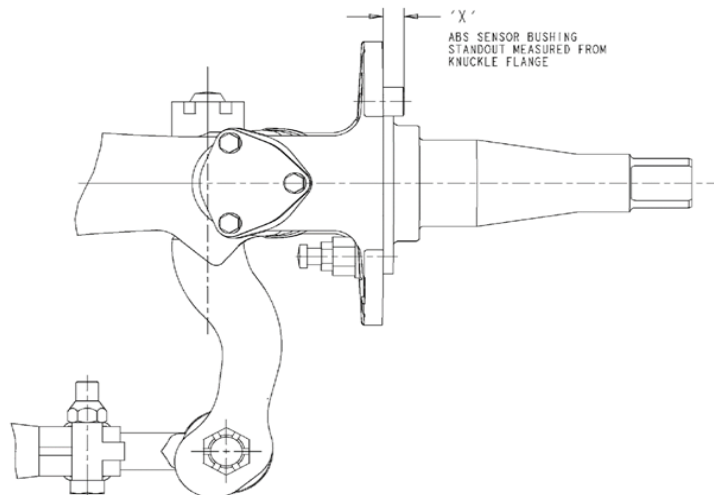


Figure 1: ABS Sensor Bushing Standout On Steer Axle Knuckle

For service procedures, please refer to maintenance manual MM-2 available from the Meritor® Literature on Demand web page at: <https://www.meritor.com/literature-on-demand>

For any questions or for any further information relating to the above, please contact a Meritor® Australia representative on +613 9300 5200.

Issued by Product Engineering
Meritor HVSA Ltd